

PWMA Standard

**DIMENSIONAL STANDARD FOR M22
THREAD CONNECT COUPLER
RECEPTACLES AND PLUG COLLARS FOR
PORTABLE PRESSURE WASHERS**

Pressure Washer Manufacturers' Association

Sponsor:



1300 Sumner Avenue
Cleveland, Ohio 44115-2851
www.pwma.org

PWMA PW203-2019

PRESSURE WASHER MANUFACTURERS' ASSOCIATION
**Dimensional Standard for M22 Thread Connect Coupler Receptacles and Plug Collars for
Portable Pressure Washers**

Sponsor

Pressure Washer Manufacturers' Association

A Pressure Washer Manufacturers' Association (PWMA) standard is intended as a guide to aid the manufacturer, the consumer, and the general public. The existence of a PWMA standard does not in any respect preclude anyone, whether he has approved the standard or not, from manufacturing, marketing, purchasing or using products, processes, or procedures not conforming to the standard. Pressure Washer Manufacturers' Association standards are subject to periodic review and users are cautioned to obtain the latest editions.

CAUTION NOTICE:

This Pressure Washer Manufacturers' Association standard may be revised or withdrawn at any time. The procedures of the PWMA require that action be taken to reaffirm, revise, or withdraw this standard no later than five years from the date of publication. Purchasers of PWMA standards may receive current information on all standards by calling or writing the Pressure Washer Manufacturers' Association.

Sponsored and published by:
PRESSURE WASHER MANUFACTURERS' ASSOCIATION
1300 Sumner Avenue
Cleveland, OH 44115-2851
Phn: 216/241-7333
Fax: 216/241-0105
E-Mail: pwma@pwma.org
URL: www.pwma.org

Copyright © 2019 by Pressure Washer Manufacturers' Association
All Rights Reserved

No part of this publication may be reproduced in any form, in an electronic retrieval system or otherwise, without the prior written permission of the publisher.

Suggestions for improvement of this standard will be welcome. They should be sent to the Pressure Washer Manufacturers' Association.

Printed in the United States of America

CONTENTS **PAGE**

Foreword v

1. Purpose 1

2. Scope 1

3. Definitions 1

4. Identification Statement..... 1

FIGURES

1. Figure 1 -- Plug Collar (Male Collar) 2

2. Figure 2 -- Receptacle (Female Collar).....3

TABLES

1. Table 1 3

Foreword (This foreword is included for information only and is not part of PWMA PW203-2014, *Dimensional Standard for M22 Thread Connect Coupler Receptacles And Plug Collars for Portable Pressure Washers*)

The following standard has been developed by the Technical Committee of the Pressure Washer Manufacturers' Association (PWMA) as an assistance and guide to the manufacturers, purchasers, and users of pressure washers. It is intended as a reference to provide uniform dimensions for M22 Thread Connect Coupler Receptacles and Plug Collars for Portable Pressure Washers.

In 2014, the standard was revised to include a figure of a female connector. The standard was reaffirmed in 2019.

PWMA recognizes the need to periodically review and update this standard. Suggestions for improvement should be forwarded to the Pressure Washer Manufacturers' Association, 1300 Sumner Avenue, Cleveland, Ohio 44115-2851. All constructive suggestions for expansion and revision of this standard are welcome.

The existence of a Pressure Washer Manufacturers' Association standard does not in any respect preclude any member or non-member from manufacturing or selling products not conforming to this standard nor is the PWMA responsible for its use.

PWMA STANDARD

PW203-2019

Dimensional Standard for M22 Thread Connect Coupler Receptacles and Plug Collars for Portable Pressure Washers

plug collar, sometimes referred to as the female connector. (See Figure 2 and Table 1)

1.0 PURPOSE

The purpose of this standard is to provide uniform dimensions method for M22 Thread Connect Coupler Receptacles and Plug Collars for Portable Pressure Washers. M22 couplers are used to join or separate quickly fluid conducting lines, without the use of tools or special devices, typically related to the pressure washer hoses, pumps, spray guns and wands.

2.0 SCOPE

This standard lays down the interface dimensions for M22 thread connection receptacles and applies to pressure washers intended for the household, farm, consumer, or commercial/industrial markets. The pressure washers covered by this standard are portable, engine or electric motor driven, in which the discharge line is hand supported and manipulated.

The dimensions are provided as a reference only. Each manufacturer should ensure that the coupling system is designed in accordance with the safety and performance criteria described in UL1776.

3.0 DEFINITIONS

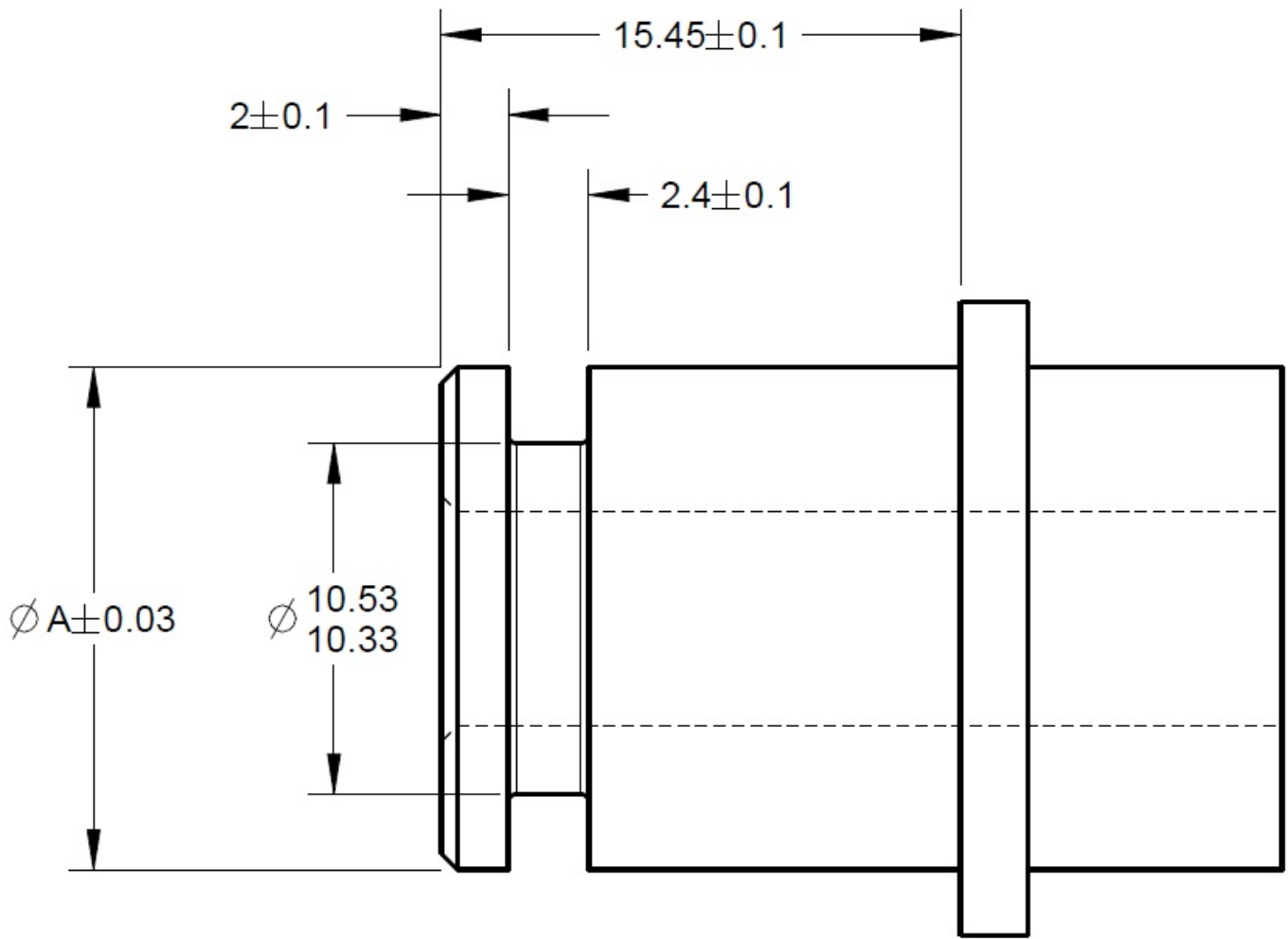
3.1 Plug Collar: A component that works in conjunction with the M22 Thread connect receptacle, sometimes referred to as the male collar. The collar rotates to engage the receptacle. (See Figure 1 and Table 1)

3.2 Receptacle: A receiving component that works in conjunction with the M22 thread connect

4.0 IDENTIFICATION STATEMENT

The following statement may be used in test reports, catalogues and sales literature when electing to comply with this standard.

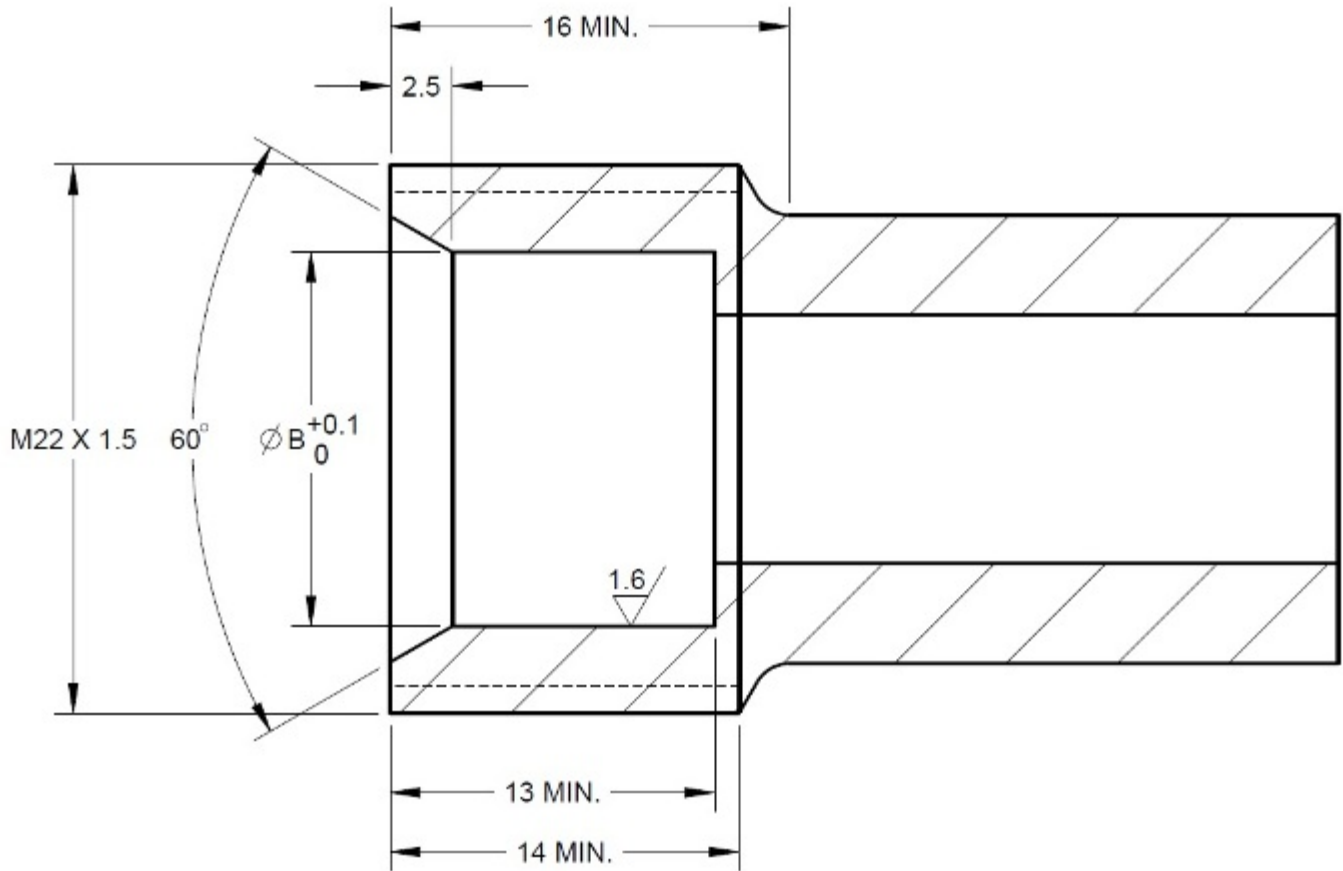
“Dimension Requirements conform to PW203-2012, Dimensional Standard for M22 Thread Connect Coupler Receptacles and Plug Collars for Portable Pressure Washers”



Dimensions in Millimeters

Pressure Washer Type	A - Nominal Dimension
Electric Motor Driven	14.95
Gas Engine Driven	13.95

Figure 1



Dimensions in Millimeters

Pressure Washer Type	B - Nominal Dimension
Electric Motor Driven	15
Gas Engine Driven	14

Figure 2

Pressure Washer Type	A - Nominal Dimension
Electric Motor Driven	14mm or 15mm (optional)
Gas Engine Driven	14mm

Table 1