

PWMA Standard

---

---

---

**DIMENSIONAL STANDARD FOR 1/4" QUICK  
CONNECT COUPLER PLUGS AND SOCKETS  
FOR PORTABLE PRESSURE WASHERS**

---

---

---

Pressure Washer Manufacturers' Association

---

Sponsor:



1300 Sumner Avenue  
Cleveland, Ohio 44115-2851  
[www.pwma.org](http://www.pwma.org)

PWMA PW201-2019

PRESSURE WASHER MANUFACTURERS' ASSOCIATION  
**Dimensional Standard for 1/4" Quick Connect Coupler Plugs and Sockets for Portable  
Pressure Washers**

Sponsor

**Pressure Washer Manufacturers' Association**

A Pressure Washer Manufacturers' Association (PWMA) standard is intended as a guide to aid the manufacturer, the consumer, and the general public. The existence of a PWMA standard does not in any respect preclude anyone, whether he has approved the standard or not, from manufacturing, marketing, purchasing or using products, processes, or procedures not conforming to the standard. Pressure Washer Manufacturers' Association standards are subject to periodic review and users are cautioned to obtain the latest editions.

## **CAUTION NOTICE:**

This Pressure Washer Manufacturers' Association standard may be revised or withdrawn at any time. The procedures of the PWMA require that action be taken to reaffirm, revise, or withdraw this standard no later than five years from the date of publication. Purchasers of PWMA standards may receive current information on all standards by calling or writing the Pressure Washer Manufacturers' Association.

Sponsored and published by:  
**PRESSURE WASHER MANUFACTURERS' ASSOCIATION**  
1300 Sumner Avenue  
Cleveland, OH 44115-2851  
Phn: 216/241-7333  
Fax: 216/241-0105  
E-Mail: [pwma@pwma.org](mailto:pwma@pwma.org)  
URL: [www.pwma.org](http://www.pwma.org)

Copyright © 2019 by Pressure Washer Manufacturers' Association  
All Rights Reserved

No part of this publication may be reproduced in any form, in an electronic retrieval system or otherwise, without the prior written permission of the publisher.

Suggestions for improvement of this standard will be welcome. They should be sent to the Pressure Washer Manufacturers' Association.

Printed in the United States of America

## CONTENTS

## PAGE

<b>Foreword</b> .....	v
1. Purpose .....	1
2. Scope .....	1
3. Definitions .....	1
4. Identification Statement.....	1

## FIGURES

1. Figure 1.....	2
2. Figure 2.....	3

**Foreword** (This foreword is included for information only and is not part of PWMA PW201-2014, *Dimensional Standard for 1/4" Quick Connect Coupler Plugs and Sockets for Portable Pressure Washers*)

The following standard had been developed by the Technical Committee of the Pressure Washer Manufacturers' Association (PWMA) as an assistance and guide to the manufacturers, purchasers, and users of pressure washers. It is intended as a reference to provide uniform dimensions for 1/4" Quick Connect Coupler Plugs and Sockets for Portable Pressure Washers. The standard had been approved and published in 2012.

In 2014, the standard was revised to include information on sockets and a figure of a female connector. The standard was reaffirmed in 2019.

PWMA recognizes the need to periodically review and update this standard. Suggestions for improvement should be forwarded to the Pressure Washer Manufacturers' Association, 1300 Sumner Avenue, Cleveland, Ohio 44115-2851. All constructive suggestions for expansion and revision of this standard are welcome.

The existence of a Pressure Washer Manufacturers' Association standard does not in any respect preclude any member or non-member from manufacturing or selling products not conforming to this standard nor is the PWMA responsible for its use.

# PWMA STANDARD

## PW201-2019

### Dimensional Standard for 1/4" Quick Connect Coupler Plugs and Sockets for Portable Pressure Washers

#### 1.0 PURPOSE

The purpose of this standard is to provide uniform dimensions method for 1/4" Quick Connect Coupler Plugs and Sockets for Portable Pressure Washers. 1/4" Quick Connect (QC) couplers are used to join or separate quickly fluid conducting lines, without the use of tools or special devices, typically related to the pressure washer spray nozzle.

#### 2.0 SCOPE

This standard lays down the interface dimensions for 1/4" QC connection coupler plugs and sockets applies to pressure washers intended for the household, farm, consumer, or commercial/industrial markets. The pressure washers covered by this standard are portable, engine or electric motor driven, in which the discharge line is hand supported and manipulated.

The dimensions are provided as a reference only. Each manufacturer should ensure that the coupling system is designed in accordance with the safety and performance criteria described in UL1776.

#### 3.0 DEFINITIONS

3.1 Plug: A component that works in conjunction with the 1/4 inch quick connect socket, sometimes referred to as the male connector. (See figure 1)

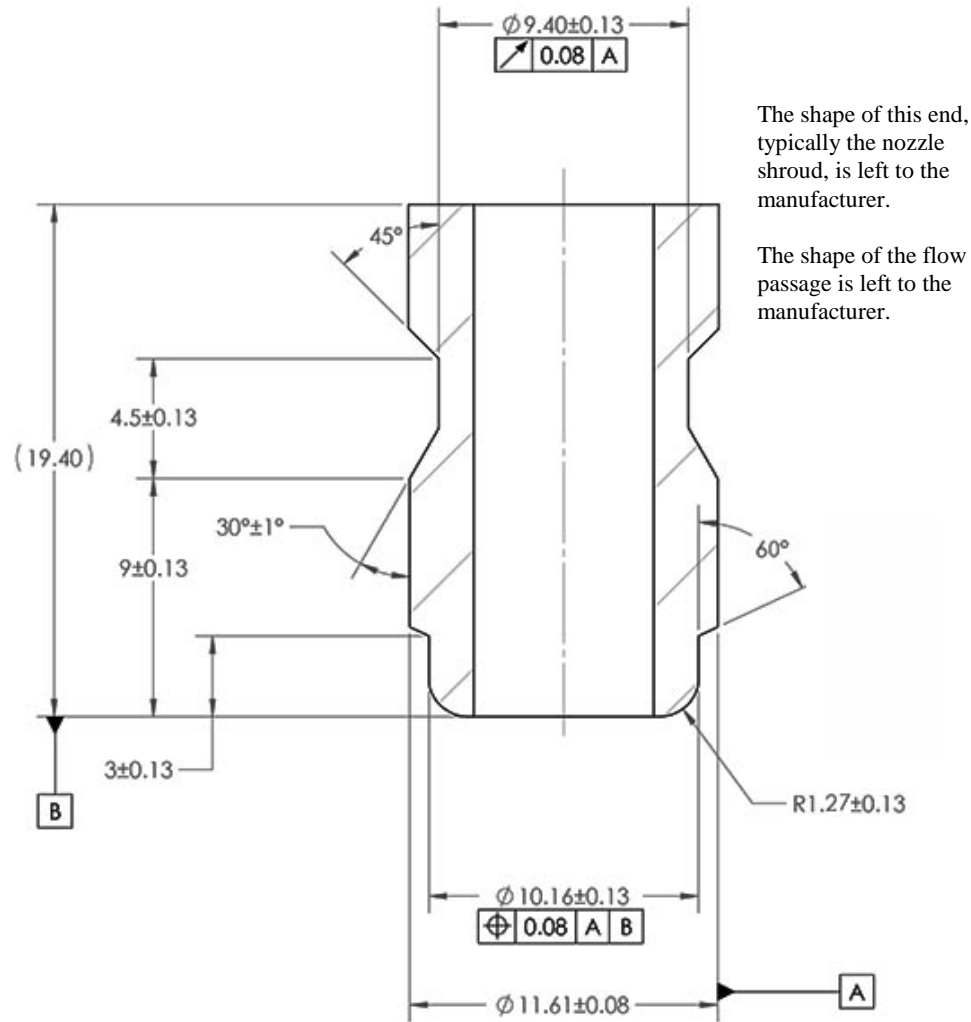
3.2 Socket: A receiving component that works in conjunction with the 1/4 inch quick connect plug, sometimes referred to as the female connector. (See Figure 2)

#### 4.0 IDENTIFICATION STATEMENT

The following statement may be used in test reports, catalogues and sales literature when electing to comply with this standard.

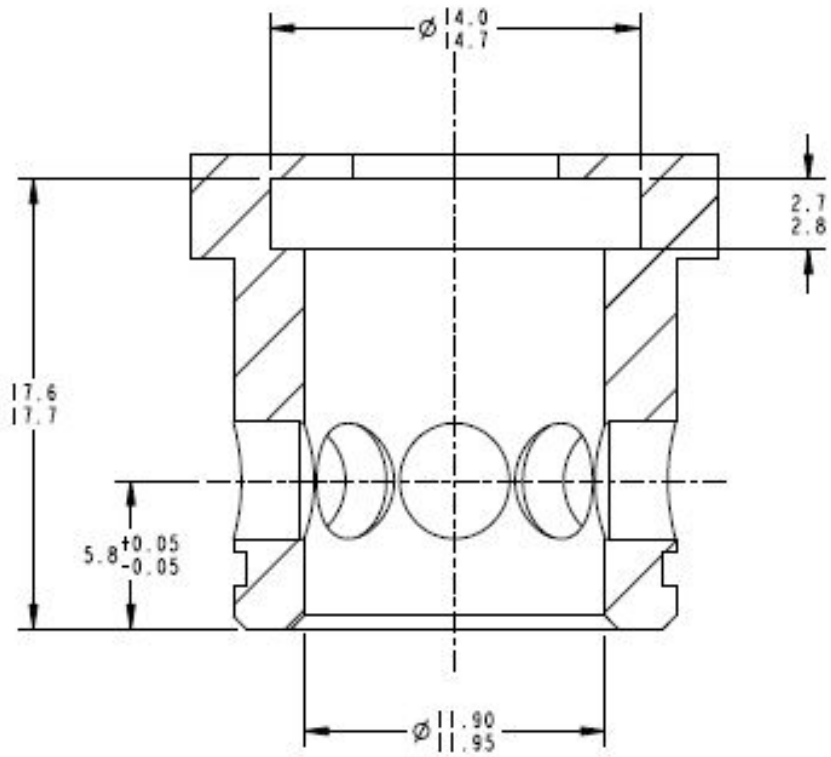
“Dimension Requirements conform to PW201-2010, Dimensional Standard for 1/4" Quick Connect Coupler Plugs and Sockets for Portable Pressure Washers”

19.4 MINIMUM  
Clearance Requirement.



(Dimensions Show in Millimeters)

Figure 1



(Dimensions shown in Millimeters)  
 Figure 2